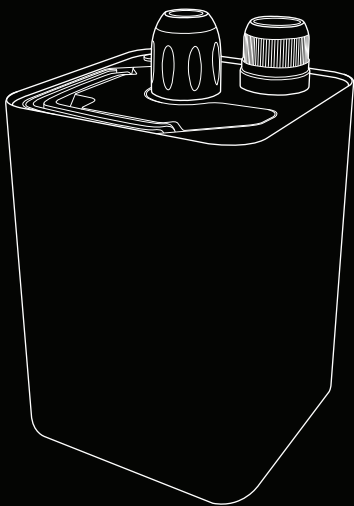
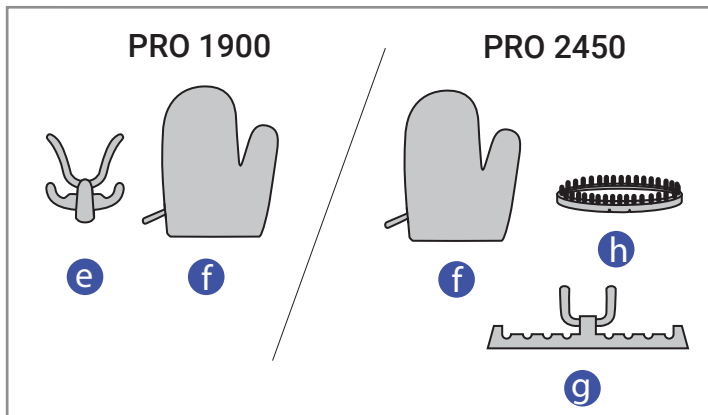
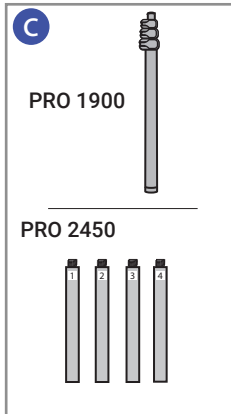
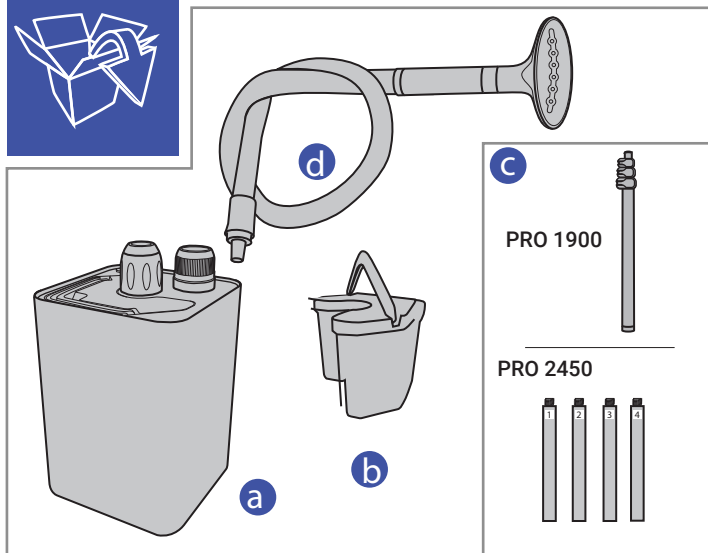


# QUICK START



SteamOne

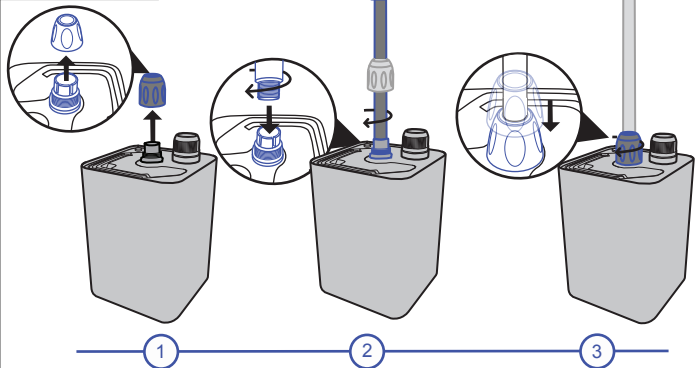


SteamOne

1

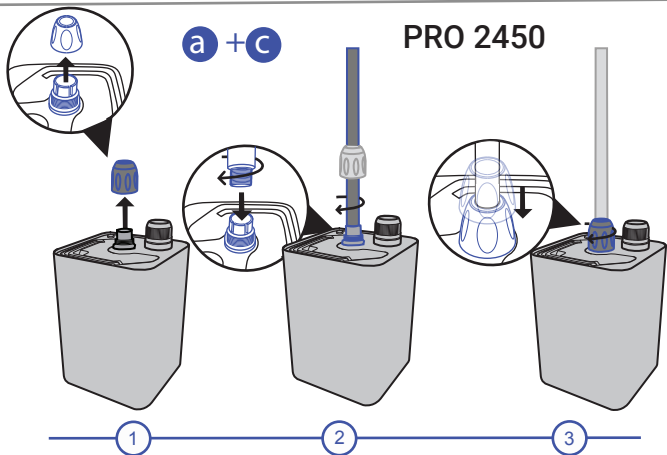
PRO 1900

a + c



PRO 2450

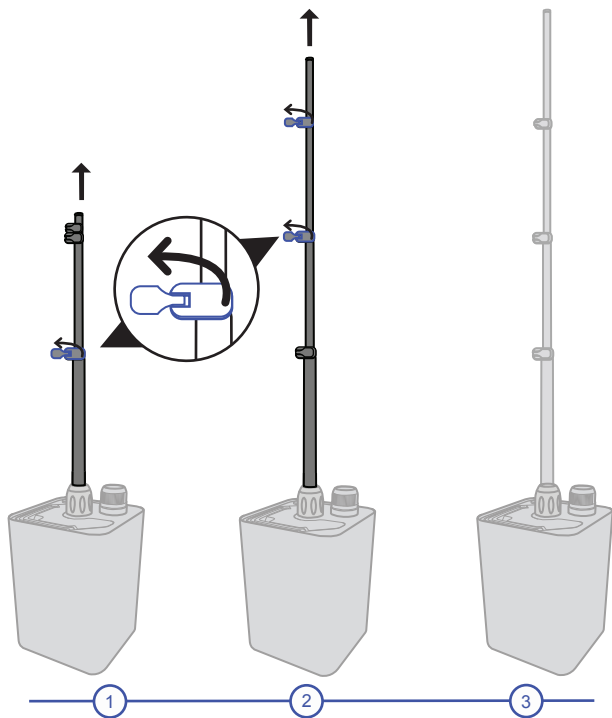
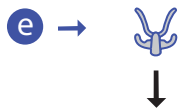
a + c



SteamOne

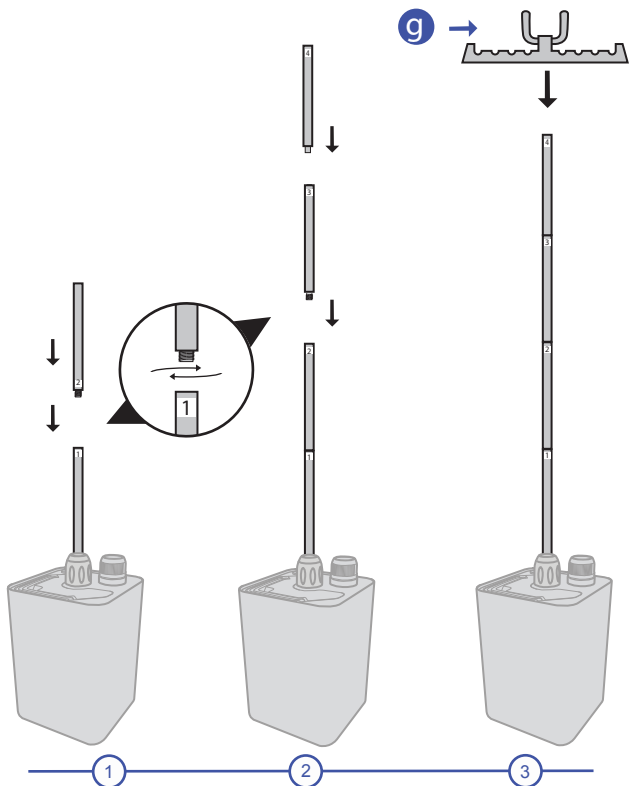
2

PRO 1900



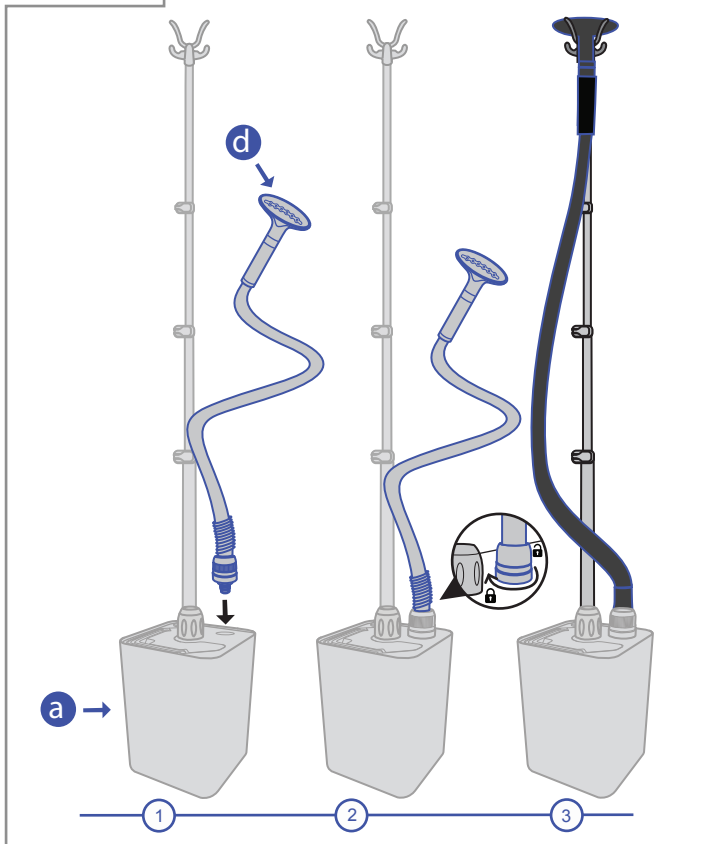
SteamOne

# PRO 2450

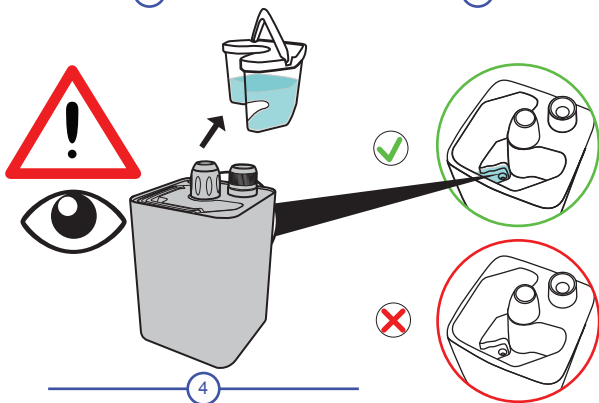
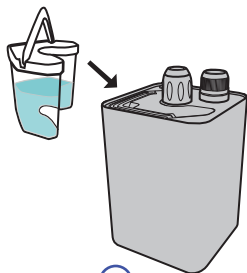
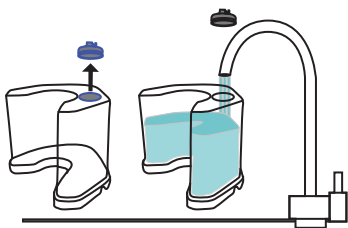
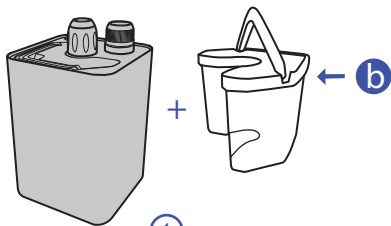


SteamOne

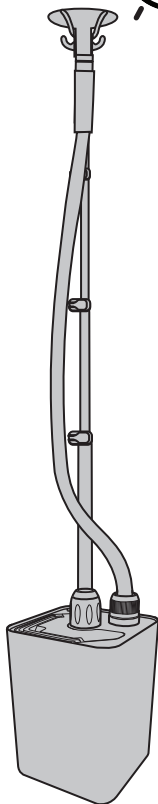
4



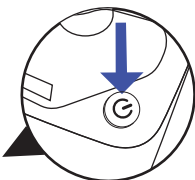
SteamOne



SteamOne



2



1

SteamOne





e



PRO 1900



PRO 2450

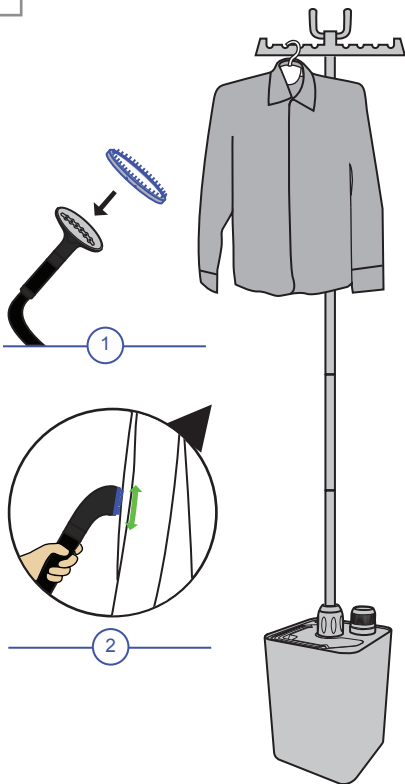
g

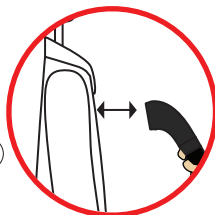


SteamOne

PRO 2450

h

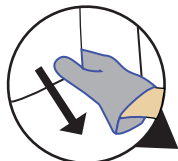




1

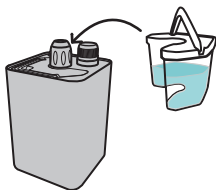


2



3

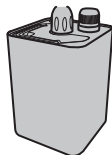
SteamOne

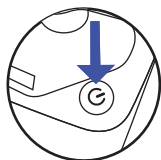


4



5



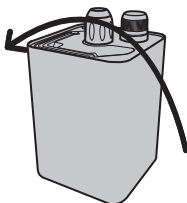


OFF

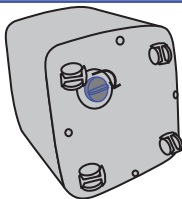


0

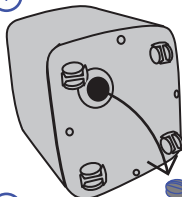
a →



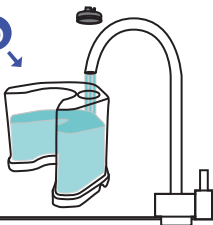
1



2



b →



3

SteamOne